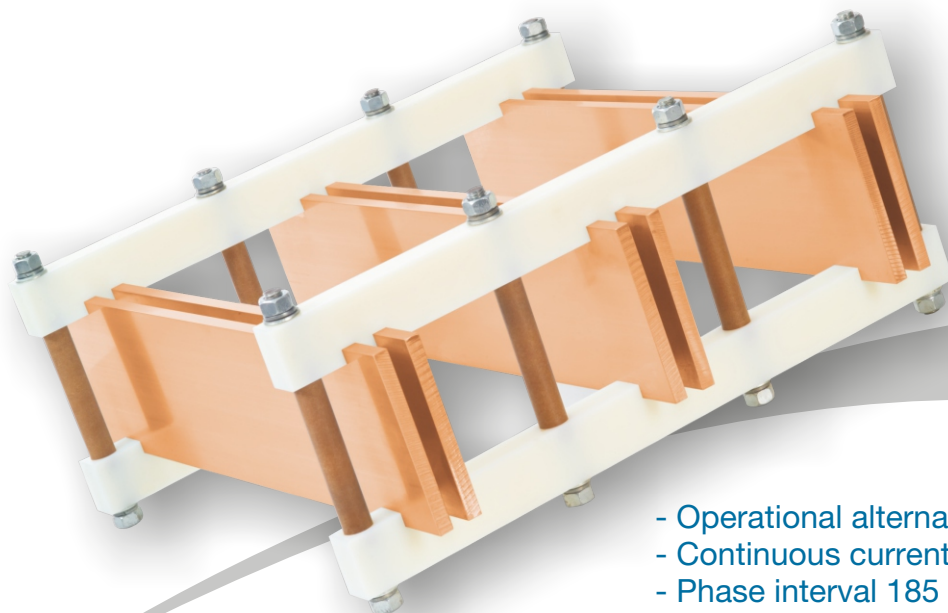


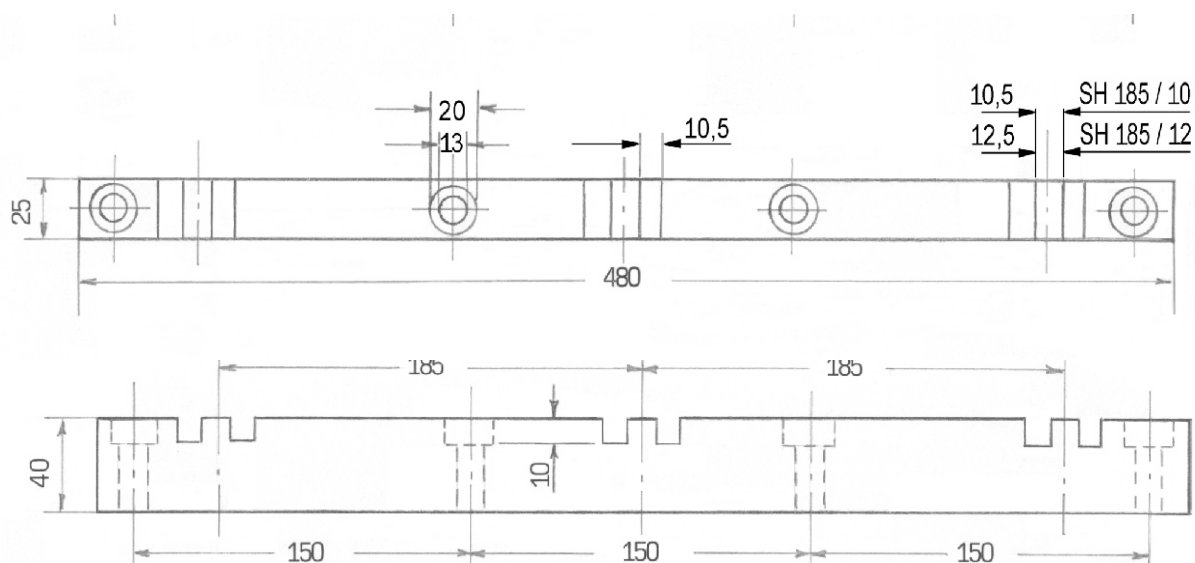
SH 185/10

Busbar supports
made of thermoplast



- Operational alternating current 1000 Volt
- Continuous current exceeding 3500 A
- Phase interval 185 mm

Article number	Colour
011651	Natural



Raw material properties – Material PA

Density	DIN 53479	g/cm ³	1,15
Volume resistivity	IEC 60093	Ohm x cm	10 ¹² - 10 ¹⁵
Dielectric strength	DIN 53481	kV/mm	25 - 50
Creep resistance	DIN 53480		KA 3c KA 3b
Flammability according to UL-Standard 94	UL 94		HB

(additional data available on request)

The data given are subject to certain tolerances affected by manufacturing processes as well as the inserted pre-products. That is why these figures are average values, i.e. non-binding standard values which cannot be used to derive a guarantee claim from. We reserve the right to make changes!