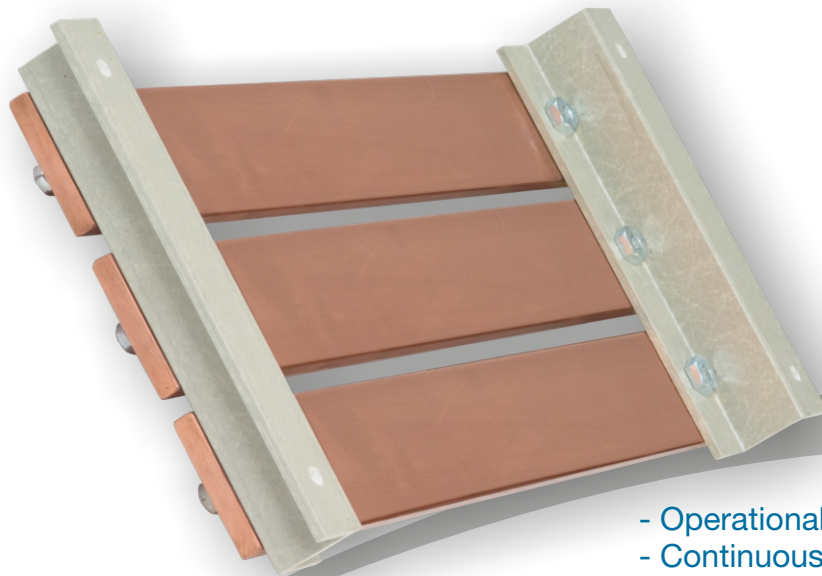


Z 70

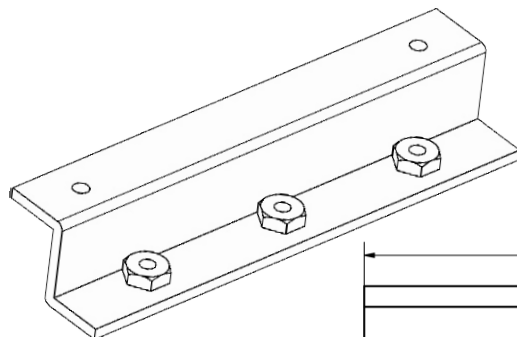
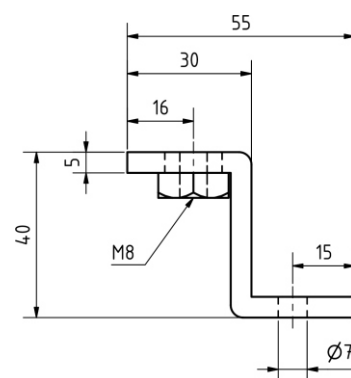
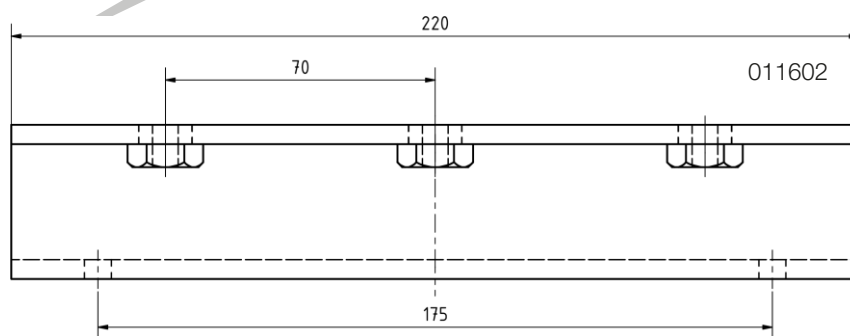
Busbar supports made of duroplast



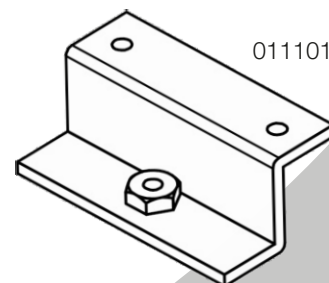
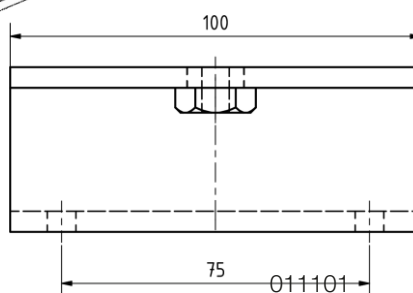
Article number	Colour
011602	Grey

Article number	Colour
011101	Grey

- Operational alternating current 1000 V
- Continuous current exceeding 2500 A
- Phase interval 70 mm



011602



011101

Raw material properties

Thermal dimensional stability acc. to Martens	DIN 53462	°C	>150
Density	ISO 1183	g/cm ³	1,75
Fire behaviour	UL 94	class	HB
Specific contact resistance	IEC 60093	Ohm cm	10 ¹²
Dielectric strength (90°C vertical)	IEC 60243	kV/3 mm	14
Creep resistance	IEC 60112	CTI	600
Halogens	None (Beilstein's test)		

(additional data available on request)

The data given are subject to certain tolerances affected by manufacturing processes as well as the inserted pre-products. That is why these figures are average values, i.e. non-binding standard values which cannot be used to derive a guarantee claim from. We reserve the right to make changes!